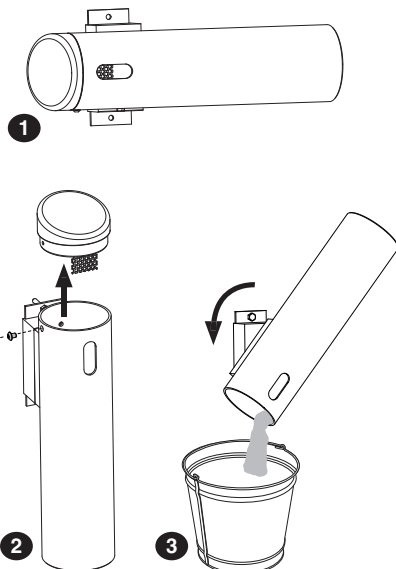




Thank you for ordering!



Contents:

- (1) Smokers' Outpost® Swivel Mount Ashtray
- (2) Hex Keys (needed for cleaning and maintenance)

Important Safety and Assembly Instructions

Follow instructions carefully before assembling.

Check parts list below:

- Tube with cap and swivel mount assembly (hardware to secure unit to wall not included)
- Warning sticker on tube assembly
- Hex key (packed in the instruction sheet bag)

Each part is important to the safe and effective use of this product. Contact DCI Marketing immediately if missing any items.

Mounting Instructions

Determine the mounting hardware for your application's mounting surface. Twist wall-mount unit to the side to gain access to mounting holes. (See illustration 1.) Mount to surface using your hardware.

Cleaning and Maintenance

Empty the unit based on actual usage. Units in high-traffic areas must be cleaned more frequently.

- Step 1:** Using the supplied hex key, remove screw holding cap to main unit. (See illustration 2.)
- Step 2:** Rotate the tube to empty; make sure there are no smoldering cigarette butts or other materials inside the unit. (See illustration 3.)
- Step 3:** To minimize tar buildup and odor, clean the unit periodically with a household degreaser or cleaner.
- Step 4:** Return the tube to upright position and secure cap.

Return Policy

Inspect the unit immediately. All Smokers' Outpost products covered by one-year limited warranty against manufacturing defects. No returns accepted without prior return authorization. Specific warranty and return policy available online at www.commercialzone.com, or contact your current distributor for more information.



DCI Marketing/Commercial Zone
2727 West Good Hope Road
Milwaukee, WI 53209
800-782-7273 • 414-228-7000 Office
800-443-7489 • 414-228-4366 Fax
www.commercialzone.com

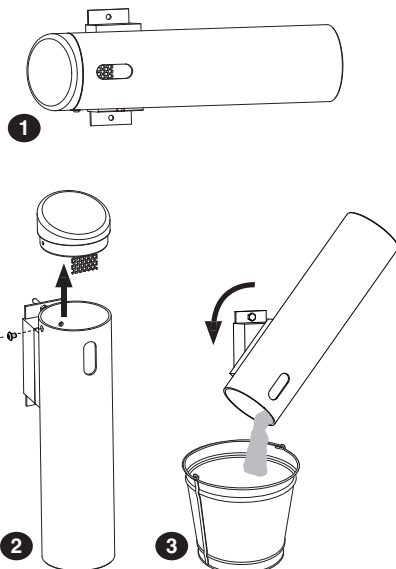
DCI Marketing-Europe GmbH
Commercial Zone Products
Frankfurter Strasse 74
D-64521 Gross-Gerau
Tel.: +49 (0)6152-1873-111
info@commercialzone.eu

an IMI merchandising business

© Copyright 2010 Commercial Products Group. All rights reserved.



Thank you for ordering!



Contents:

- (1) Smokers' Outpost® Swivel Mount Ashtray
- (2) Hex Keys (needed for cleaning and maintenance)

Important Safety and Assembly Instructions

Follow instructions carefully before assembling.

Check parts list below:

- Tube with cap and swivel mount assembly (hardware to secure unit to wall not included)
- Warning sticker on tube assembly
- Hex key (packed in the instruction sheet bag)

Each part is important to the safe and effective use of this product. Contact DCI Marketing immediately if missing any items.

Mounting Instructions

Determine the mounting hardware for your application's mounting surface. Twist wall-mount unit to the side to gain access to mounting holes. (See illustration 1.) Mount to surface using your hardware.

Cleaning and Maintenance

Empty the unit based on actual usage. Units in high-traffic areas must be cleaned more frequently.

- Step 1:** Using the supplied hex key, remove screw holding cap to main unit. (See illustration 2.)
- Step 2:** Rotate the tube to empty; make sure there are no smoldering cigarette butts or other materials inside the unit. (See illustration 3.)
- Step 3:** To minimize tar buildup and odor, clean the unit periodically with a household degreaser or cleaner.
- Step 4:** Return the tube to upright position and secure cap.

Return Policy

Inspect the unit immediately. All Smokers' Outpost products covered by one-year limited warranty against manufacturing defects. No returns accepted without prior return authorization. Specific warranty and return policy available online at www.commercialzone.com, or contact your current distributor for more information.



DCI Marketing/Commercial Zone
2727 West Good Hope Road
Milwaukee, WI 53209
800-782-7273 • 414-228-7000 Office
800-443-7489 • 414-228-4366 Fax
www.commercialzone.com


DCI Marketing-Europe GmbH
Commercial Zone Products
Frankfurter Strasse 74
D-64521 Gross-Gerau
Tel.: +49 (0)6152-1873-111
info@commercialzone.eu

an IMI merchandising business

© Copyright 2010 Commercial Products Group. All rights reserved.



MAC FILE NAME AND LOCATION: ProdArt / taylor / JobsInProgressBT / CommercialZone / P4331 / I-SO_Wall-Mount-Swivel_eng.indd
App: InDesignCS4 • Colors: Black • AC: Zirtzlaff • PA: Taylor 10.11.10
Finished Size: 11" x 17" • Art At: 100% • Proofs Run Out At: 100%

 DATE PROOF SENT OUT SIGNATURE	DATE PROOF SENT OUT
DATE PROOF RETURNED	DATE PROOF RETURNED
CLIENT	CLIENT
ACCOUNT EXECUTIVE	ACCOUNT EXECUTIVE
ACCOUNT SUPERVISOR	ACCOUNT SUPERVISOR
ACCOUNT COORDINATOR	ACCOUNT COORDINATOR
DESIGNER	DESIGNER
PROOFREADER	PROOFREADER
PRODUCTION ARTIST	PRODUCTION ARTIST
<small>Please do not write on this proof. All corrections must be made on the original artwork. If corrections are made, the proper graphics are used in the final proof. This proof is for "approximate" color only.</small>	
